

HELMUT ALT

KURT MEHLHORN

Complexity arguments in algebraic language theory

RAIRO. Informatique théorique, tome 13, n° 3 (1979), p. 217-225

http://www.numdam.org/item?id=ITA_1979__13_3_217_0

© AFCET, 1979, tous droits réservés.

L'accès aux archives de la revue « RAIRO. Informatique théorique » implique l'accord avec les conditions générales d'utilisation (<http://www.numdam.org/conditions>). Toute utilisation commerciale ou impression systématique est constitutive d'une infraction pénale. Toute copie ou impression de ce fichier doit contenir la présente mention de copyright.

NUMDAM

Article numérisé dans le cadre du programme
Numérisation de documents anciens mathématiques

<http://www.numdam.org/>

COMPLEXITY ARGUMENTS IN ALGEBRAIC LANGUAGE THEORY (*)

by Helmut ALT and Kurt MEHLHORN (1)

Communiqué par J. BERSTEL

Abstract. — Each algorithm recognizing any generator of the rational cone of context-free languages requires space $\Omega(\log n)$ and time \times space $\Omega(n^2)$.

Résumé. — Chaque algorithme reconnaissant un quelconque générateur du cône rationnel des langages algébriques nécessite l'espace $\Omega(\log n)$ et un produit espace \times temps en $\Omega(n^2)$.

0. INTRODUCTION

A frequently used method in complexity theory is reduction. The idea is the following: Assume, that there are given two formal languages $L_1 \subset \Delta^*$ and $L_2 \subset \Sigma^*$ (Δ, Σ finite alphabets) and a recursive (partial) function $g : \Delta^* \rightarrow \Sigma^*$ with the property:

$$w \in L_1 \Leftrightarrow g(w) \in L_2.$$

We denote this property by $L_1 \underset{g}{\leq} L_2$.

Assume further, that there is an algorithm A to recognize L_2 . Then the following algorithm B recognizes L_1 (input w):

1. compute $g(w)$
2. apply A

So the time (space) requirements of B are those of A plus those to compute g .

Thus upper bounds for the complexity of L_2 turn into upper bounds for L_1 and lower bounds for the complexity of L_1 turn into lower bounds for L_2 .

The most well-known application of reduction is to show that certain languages are *NP*-complete [1].

The importance of reductions between languages in complexity theory delivers a connection to algebraic language theory. One result of the latter theory is that for every generator G of the rational cone of context-free languages there is a certain fixed language E_1 and a simple reduction g with $E_1 \underset{g}{\leq} G$. For this language we will show (again by reduction) lower bounds for space-complexity and the product of time and space complexity. So we have these lower bounds for all generators of the class of context-free languages.

(*) Reçu août 1978, révisé octobre 1978.

(1) Universität des Saarlandes.

By this we have a complexity criterion that certain languages are non-generators by giving recognition algorithms whose complexities are below the lower bounds mentioned above.

1. THE PRODUCT OF TIME- AND SPACE COMPLEXITY OF A MULTITAPE TURING MACHINE

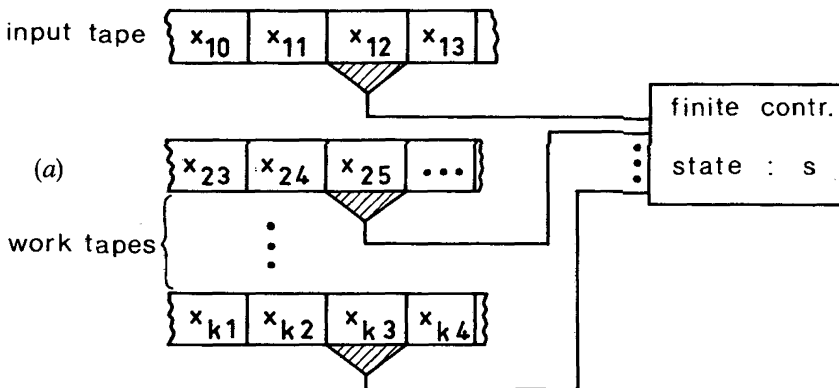
In the following we mean by "multitape turing machine" an offline turing machine with one read-only input tape and several work tapes.

We say that it has time complexity $T(n)$ if it performs at most $T(n)$ steps for each input of length n . Space complexity $S(n)$ means that for each input of length n at most $S(n)$ cells of the work tapes are used. For two functions $f, g : N \rightarrow N$, where N is the set of natural numbers, $f = O(g)$ means that there exists a constant c , such that $f(n) \leq c \cdot g(n)$ for almost all $n \in N$. $f = \Omega(g)$ means that there exists a constant $c < 0$, such that $f(n) \geq c \cdot g(n)$ for infinitely many $n \in N$. For reasons of simplicity we assume that the Turing-machines are deterministic but the proofs and results apply to nondeterministic machines as well. There exists a close connection between the product of time and space complexity of multitape turing machines and the time complexity of one-tape-Turing-machines. In fact the following holds (cf. [3]):

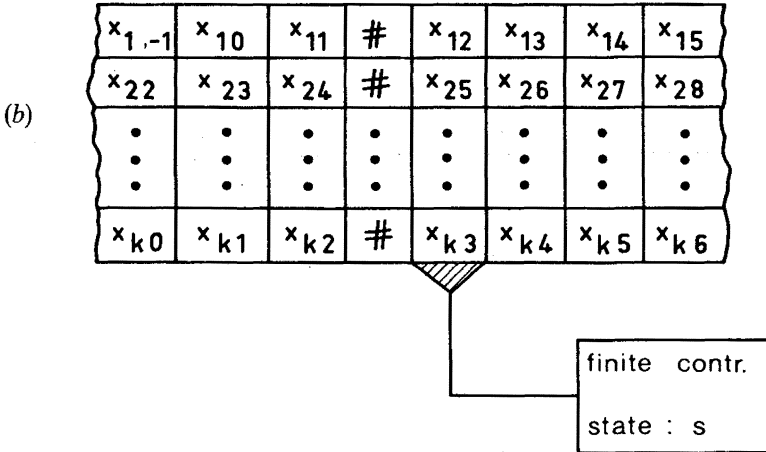
THEOREM 1: *To every multitape-Turing machine M with time complexity T and space complexity S one can construct an equivalent one-tape turing machine with time complexity $T \cdot S$.*

Proof (for a more detailed version see [3]): If M has $k - 1$ work tapes, M' has k tracks on its tape.

We simulate an arbitrary configuration of M :



by the following configuration of M' :



The special symbol # marks in each track the head position on the corresponding tape of M .

So M' reads exactly the tuple which is read by the k heads of M and can simulate one step of M by overprinting the symbols on the tracks and moving the #’s according to the movement of M ’s heads.

This operation obviously requires constantly many steps. After this M' has to bring back all #’s in one cell again according to (b).

This is done by shifting each of the tracks 2 to k . Since on these tracks there are at most $S(n)$ non blank cells, the time complexity for this is $O(S(n))$. So the time complexity of M' to simulate one step of M is $O(S(n))$ i.e. the whole time complexity is $O(S(n) \cdot T(n))$. By a well known result in complexity theory (cf. [8]) the constant in the O -term can be reduced to 1.

Since one knows lower bounds on the time complexity of one-tape turing machines ([8], [7]) we have herewith lower bounds on the time-space-product of arbitrary turing machines:

Let be $PAL \subset \{0, 1, \# \}^*$ the language of palindromes over $\{0, 1\}$, i.e.:

$$PAL = \{ w \# w^R \mid w \in \{0, 1\}^* \},$$

where $(x_1 \dots x_n)^R := x_n \dots x_1$ for all $x_1, \dots, x_n \in \{0, 1\}$.

It is known (*cf.* th. 10.7 in [8]) that any one tape Tm. recognizing PAL has time complexity $\Omega(n^2)$.

So we get:

COROLLARY 1: Let M be a multitape turing machine with time complexity $T(n)$ and space complexity $S(n)$ recognizing PAL. Then

$$T(n) \cdot S(n) = \Omega(n^2).$$

2. COMPLEXITY LOWER BOUNDS FOR THE RECOGNITION OF GENERATORS

In this chapter we will establish lower bounds on the complexity of algorithms recognizing generators of the rational cone of context-free languages. (i. e. languages G with the property that every context-free language can be obtained by applying a rational transducer (=nondeterministic finite automaton with output) on them. For more details *see* [5].)

We get the lower bounds by the fact that every generator is “easily” reducible to some fixed language E_1 , which is itself “easily” reducible to PAL.

Let $E_1 \subset \{a, b, c, d\}^*$ be the language generated by the grammar

$$S \rightarrow aSbSc \mid d.$$

Then in [4] the following is shown:

THEOREM: For any generator G of the cone of context-free languages there exists a regular language K and a homomorphism φ such that

$$E_1 = \varphi^{-1}(G) \cap K.$$

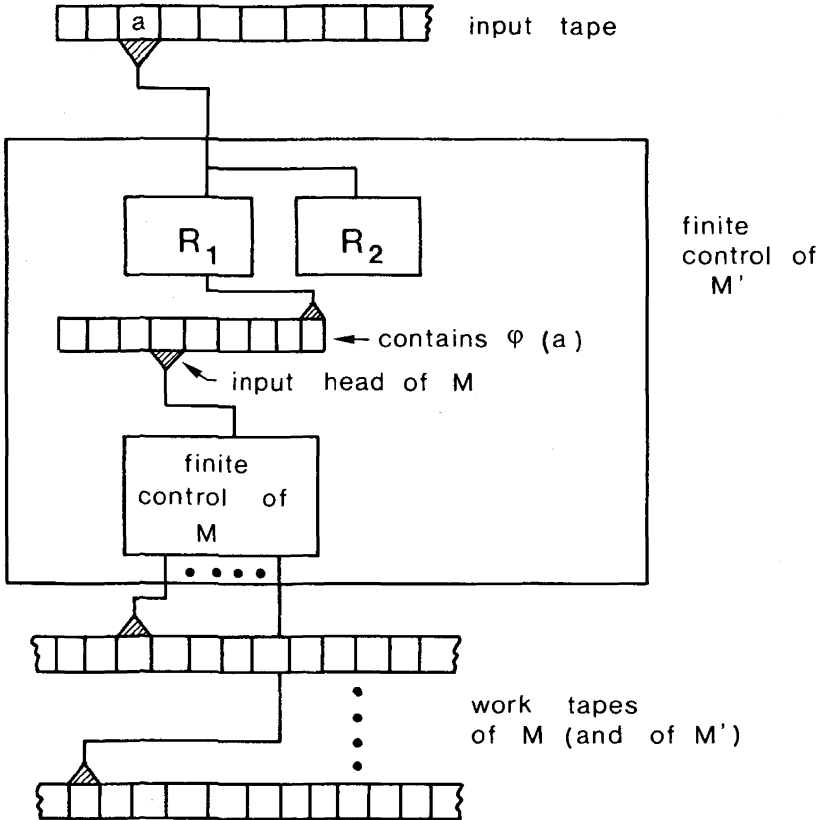
This result delivers us an “easily” computable reduction from any generator G to E_1 .

In fact let G be a generator and let φ, K be chosen as in the theorem above. Then obviously

$$w \in E_1 \Leftrightarrow \varphi(w) \in G \text{ and } w \in K.$$

Let R_1 be a finite automaton with output computing φ and R_2 a finite automaton recognizing K .

If now M is some (multitape-) turing-machine recognizing G then the following turing machine M' will recognize E_1 :



If R_2 has determined that the input is in K the input head is reset to the beginning of the input and M' works in the following way: A finite tape in the finite control will contain $\varphi(a)$ if a is the symbol just read by M' . If M' 's input head is going to leave this tape at its right (left) border R will produce $\varphi(b)$, where b is the symbol right (left) from a in the input.

So the amount of time (space) of M' in addition to the requirement of M is linear (constant) in the length of the input. Since obviously linear time is necessary to recognize any generator G , it holds:

COROLLARY 2: *If some generator G is recognizable by some Turing machine with time complexity T and space complexity S then E_1 is recognizable with time T and space S too.*

With this corollary it is possible to transfer lower bounds for the recognition of E_1 to the recognition of any generator.

In order to establish these lower bounds, we consider the language PAL. PAL is reducible to E_1 , i.e. it holds:

LEMMA 1: *There exists a function*

$$g: \{0, 1, \# \}^* \rightarrow \{a, b, c, d \}^*$$

with:

(a) $\text{PAL} \stackrel{g}{\leq} E_1$;

(b) g is computable in linear time and constant space.

Proof: We define g by

(i) $g(w) = \varepsilon$ if $w \notin \{0, 1 \}^* \cdot \{ \# \} \cdot \{0, 1 \}^*$;

(ii) $g(w_1 \# w_2) = \varphi_1(w_1 \#) \cdot \varphi_2(w_2)$;

where φ_1, φ_2 are the homomorphism defined by

x	0	1	$\#$
$\varphi_1(x)$	adb	a	d
$\varphi_2(x)$	c	bdc	ε

and we claim:

(arbitrary)

$$w \in \text{PAL} \Leftrightarrow g(w) \in E_1 \text{ for all } w \in \{0, 1, \# \}^*.$$

Proof: \Rightarrow : Induction on $k = (|w| - 1)/2$, where $|w|$ denotes the length of w .

If $k=0$ then $w = \#$

$$\Rightarrow g(w) = d \in E_1.$$

$k \rightarrow k+1$: $w \in \text{PAL}$ with $|w| > 1$. Then obviously

$$w = \alpha w' \alpha \text{ with } \alpha \in \{0, 1 \}, w' \in \text{PAL}.$$

By induction hypothesis $g(w') \in E_1$.

If $\alpha=0$ then

$$g(w) = adb g(w') c$$

and hence

$$S \rightarrow aSbSc \xrightarrow{*} adb g(w') c = g(w).$$

An analogous statement holds, if $\alpha=1$.

\Leftarrow : Let w be such that $g(w) \in E_1$. We show by induction on $|g(w)|$ that $w \in \text{PAL}$. If $|g(w)| \leq 3$ then $g(w) = d$ and hence $w = \#$. Assume now $|g(w)| > 3$. Then by definition of g :

$$w = w_1 \# w_2,$$

for some $w_1, w_2 \in \{0, 1 \}^*$.

Since $g(w) \in E_1$ $g(w)$ cannot begin or end with a 'd' and hence $w_1, w_2 \neq \varepsilon$.
Assume that

$$w = 0w'_1 \uplus w'_2 1 \quad \text{for some } w'_1, w'_2 \in \{0, 1\}^*$$

Then

$$g(w) = adb g(w') bdc, \quad \text{where } w' = w'_1 \uplus w'_2.$$

Since the first three letters of $g(w)$ can only be generated by

$$S \rightarrow aSbSc \rightarrow adbSc,$$

It follows

$$adbSc \xrightarrow{*} g(w),$$

i. e.

$$S \xrightarrow{*} g(w') bd.$$

This is not possible since obviously no word in E_1 with length ≥ 2 ends with a 'd'. In the same way the assumption that $w = 1w'_1 \uplus w'_2 0$ leads to a contradiction, such that

$$w = \alpha w'_1 \uplus w'_2 \alpha \quad \text{for some } \alpha \in \{0, 1\} \quad w'_1, w'_2 \in \{0, 1\}^*.$$

Assume that $\alpha = 0$.

So $g(w) = adb g(w') c$.

Like above it follows that

$$S \xrightarrow{*} g(w'),$$

i. e. $g(w') \in E_1$. By induction hypothesis we get: $w' \in \text{PAL}$ and thus

$$w = 0w' 0 \in \text{PAL}.$$

Analogously one can show that $w \in \text{PAL}$ if $\alpha = 1$.

The fact, that g is computable in linear time, is obvious. Using the same construction as in corollary 2, we get:

LEMMA 2: *If E_1 is recognizable with time T and space S the same holds for PAL.*

Moreover, if any generator G is recognizable with time T and space S the same holds for PAL.

Now the lower bounds on the recognition of PAL can be transferred to any generator G . By corollary 1 we get:

THEOREM 2: *Let G be any generator recognizable by some Turing machine with time complexity T and space complexity S . Then*

$$T(n) \cdot S(n) = \Omega(n^2).$$

The second lower bound on recognition of generators we get by a result in [2]:

If some non-regular deterministic language is recognizable with space complexity S then

$$S(n) = \Omega(\log n).$$

Especially this result holds for PAL, such that we have:

THEOREM 3: *If some generator G is recognizable with space complexity S , then*

$$S = \Omega(\log n).$$

These lower bounds has been known before for some special generators e. g. for the Dyck-language with two types of brackets D_2 ([2] and [3]).

They provide us with complexity criterions in algebraic languages theory:

In order to show that a language is no generator, it suffices to give a recognition algorithm using less than $\Omega(\log n)$ space or less than $\Omega(n^2)$ time \times space.

For example the context-free language

$$\{0, 1, \# \}^* / \{ \text{bin}(1)\# \text{bin}(2)\# \dots \# \text{bin}(n) \mid n \in N \},$$

where $\text{bin}(i)$ is the binary representation of the number i , cannot be a generator since it is recognizable with space $O(\log \log n)$ (cf. [9]).

Furthermore the languages $\{a^n b^n; n \in N\}$ and D_1^* (Dyck-language with one bracket type) cannot be generator, since they are recognizable in space \times time $O(n(\log n)^2)$. The ordinary counter automaton with its counter represented in binary does the job. We leave it as an exercise to the reader that both languages are recognizable in space \times time $O(n \log n)$. In the first case it is only necessary to observe that one half of the carries propagate only one position, an additional one quarter propagates only two positions, ... In the second case this observation has to be combined with a redundant number representation.

None of the applications above is new. Moreover, having space \times time complexity $\Omega(n^2)$ is only a necessary condition for being generator. The criterion seems to fail for the language L_0 in [6].

The relevance of this contribution certainly lies in giving a connection between complexity theory and algebraic language theory.

REFERENCES

1. A. V. AHO, J. E. HOPCROFT and J. D. ULLMAN, *The Design and Analysis of Computer Algorithms*, Addison-Wesley, Publ. Comp., 1974.
2. H. ALT and K. MEHLHORN, *Lower Bounds for the Space Complexity of Context-Free Recognition*, 3rd Coll. on Automata, Languages and Programming, Edinburgh, 1976, pp. 338-354.
3. H. ALT, *Einige Beobachtungen zum Produkt von Zeit und Platzbedarf bei Turingmaschinen*, Universität des Saarlandes, Fachbereich Informatik, Report-A76/09.
4. J. BEAUQUIER, *Générateurs algébriques non-ambigus*, 3rd Colloquium on Automata, Languages and Programming, Edinburgh, 1976, pp. 66-73.
5. L. BOASSON, *Classification of the Context-Free Languages*, MFCS 1977, Lecture Notes in Computer Science, Vol. 53, pp. 34-43.
6. L. BOASSON, *Un Langage Algébrique Particulier*, R.A.I.R.O., Informatique Théorique, (this issue).
7. J. HARTMANIS, *One-Tape Turing Machine Computations*, J. Assoc. Comput. Mach., Vol. 15, 1968, pp. 325-339.
8. J. W. HOPCROFT and J. D. ULLMAN, *Formal Languages and their Relation to Automata*, Addison-Wesley, Reading, Mass., 1969.
9. P. M. LEWIS, J. HARTMANIS and R. E. STEARNS, *Memory Bounds for the Recognition of Context-Free and Context-Sensitive Languages*, I.E.E.E. Conference Record on Switching Circuit Theory and Logical Design, 1965, pp. 179-202.